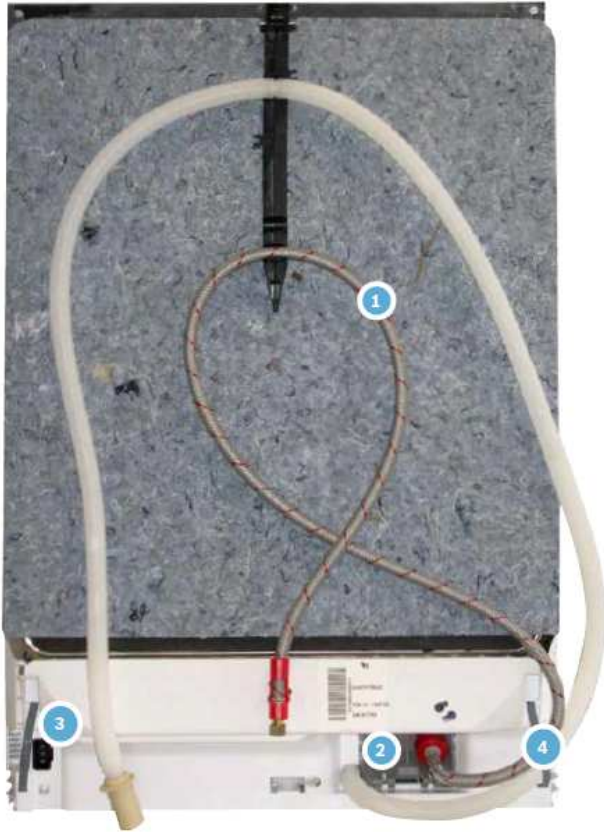


# New 300/500/800 Bosch Dishwasher Installation - Overview

## New Improvements for faster, safer, and more secure Installations



**1**  
Now includes factory pre-connected 3/8" heavy-duty braided water inlet hose.

**2**  
In the rare event of leak at the water hose connection, the Water Catch routes water to the AquaStop® system, which shuts off the inlet valve, activates the drainage and shows the error code on the control panel display.

**3**  
Power cord with junction box easily clips into dishwasher for hard wire installation.  
When hard wire installation is not required, a new 3-prong power cord without junction box accessory is available.

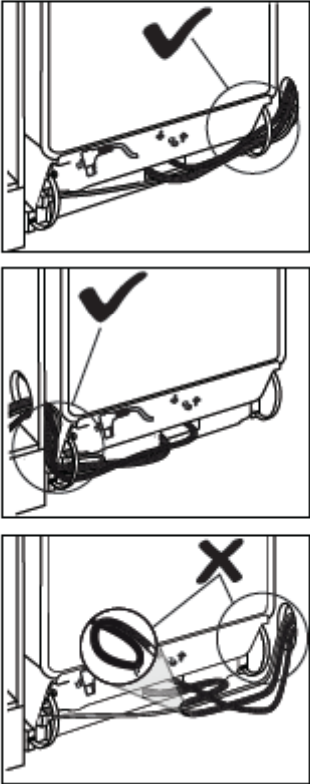
**4**  
Security straps allow for safe routing of hoses when pushing dishwasher into a cabinet.



# New Bosch Dishwasher Installation – Guidance with POP

**Important Information**  
Route the hoses through the left or right hand side traps.  
Refer installation guide for details.

**L'information importante**  
Conduisez les tuyaux par la bande de côté gauche ou droit.  
Référez-vous le guide d'installation pour des détails.



Factory applied installation pop will be included on the back of the new units

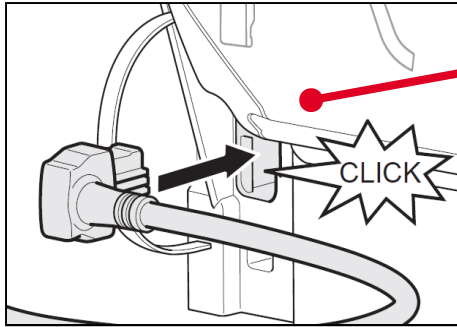
## Free 'Quick-Install Kit' included:

1. Pre-connected braided water inlet hose
2. Pre-connected drain hose
3. Flexible connection for hard wiring\*

\* When installing to an outlet connection, a 3-prong power cord is available for purchase (#SMZPC002UC).



# New Bosch Dishwasher Electrical Installation Options

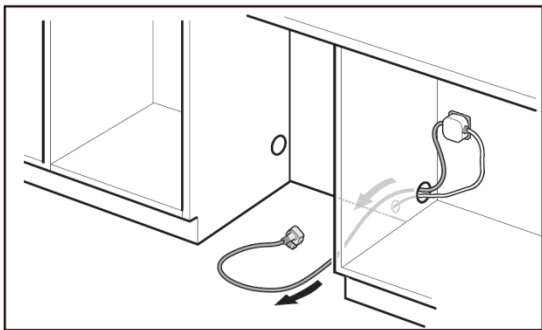


Bosch dishwashers (300 ,500, 800, 800 Plus\* series) now have a new electrical installation process.

A proprietary connector to plug into the dishwasher in the rear.

## Option #1 Hardwire

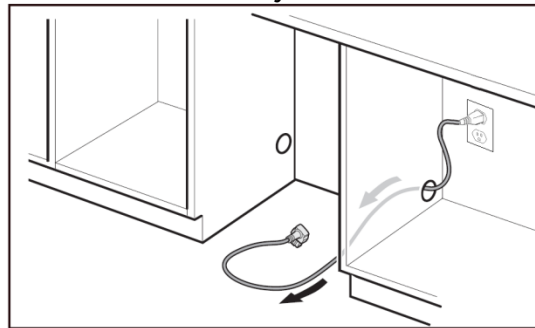
- Power cord with junction box included with appliance.
- This installation type is valid for ~70 % of installations in North America.



**Supplied with appliance**

## Option #2 Electrical receptacle - plug

- The Bosch three prong Power Cord Kit SMZPC002UC is the power cord for easy and compliant connection to electrical receptacle. (Only UL listed cord for the 300, 500 800 series dishwashers)
- Accessory should be stocked and readily available for purchase to avoid any improper installation applications which could void the manufacturers warranty.



**#SMZP002UC  
MAP \$19**

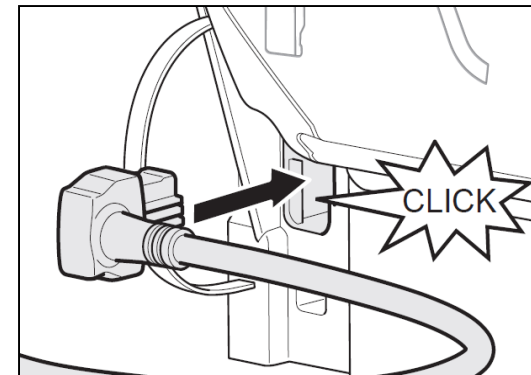
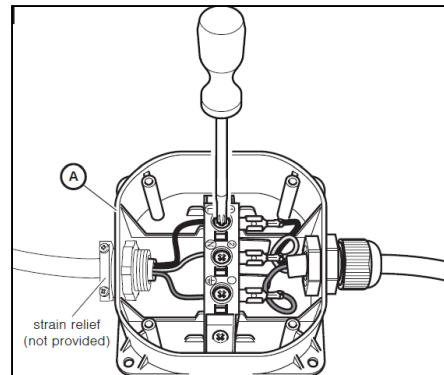
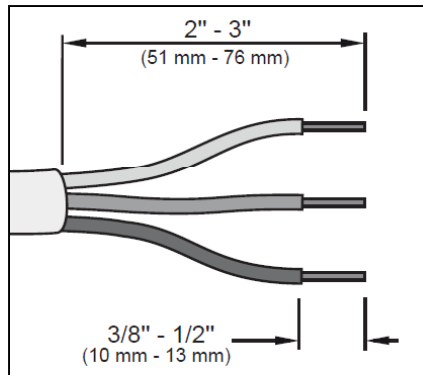


# Installation Option #1 Hardwire

Hardwire Electrical supply conductors shall be a minimum #14 AWG copper wire rated at 167°F or higher

Connect wires to junction box terminal block and securely tighten the terminal block screws.

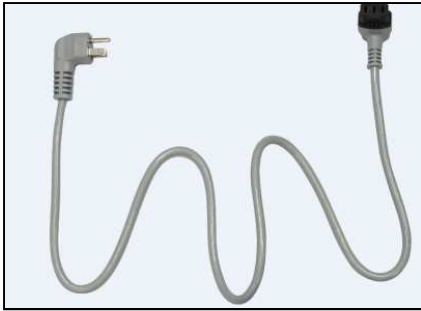
Plug the end of the supply cord into the back of the dishwasher as shown until it clicks.



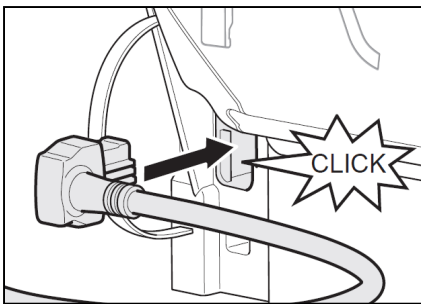
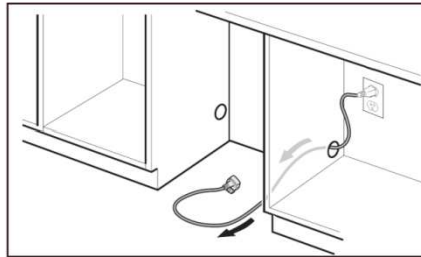
The dishwasher is designed for an electrical supply of 120V, 60 Hz, AC, connected to a dishwasher-dedicated, properly grounded electrical circuit with a fuse or breaker rated for 15 amps.



## Installation Option #2 Connection to a Receptacle & Benefits



### SMZPC002UC MAP \$19 - 47 Dishwasher 3-Prong Power Cord Kit (rear connection)



- (300/500/800/800 Plus\* Series)
- The water supply line is already included so the customer does not need to purchase one, which is the most expensive connection component for the installation.
- Our power cord is a high quality cord containing larger gauge of wire which cannot be found at big box supply stores.
- Benefits to builders to ensure safe approved connections.
- Using this cord, limits improper install by eliminating the human element of manually wiring the appliance.
- Units should be stocked at the store level as well as available on installation trucks

\*800 plus models, SH\_9PT are already supplied with power cord, no additional accessory required.

# Bosch Dishwasher Ascenta Installation

## Ascenta Models Only:



### **SGZPC001UC** MAP \$18 - 61” Dishwasher 3-Prong Power Cord

- Current and new Ascenta models utilize this cord.
- Power cord is to be wired directly to the dishwasher